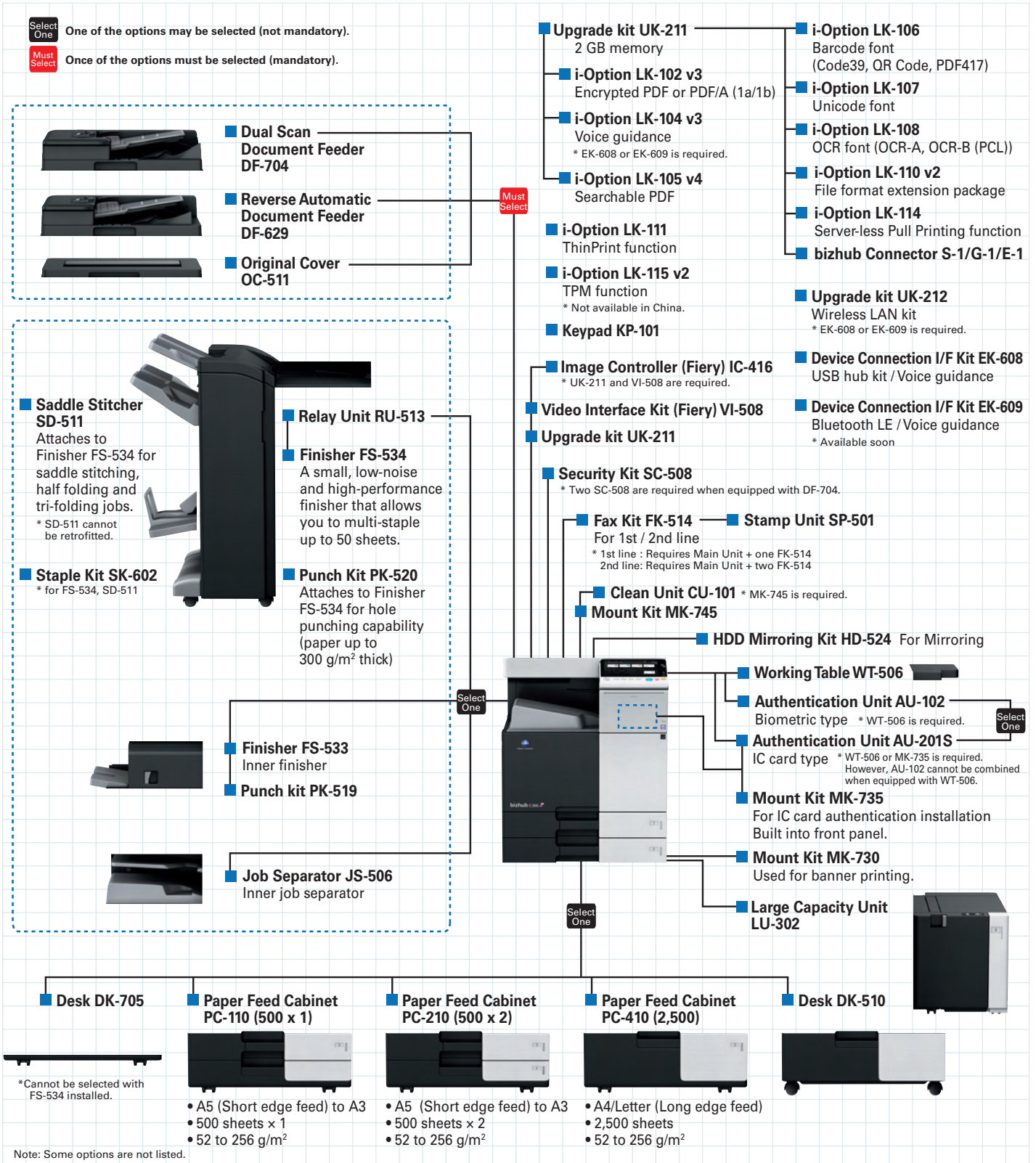




KONICA MINOLTA

# bizhub c368/c308 Spec Sheet

## System




Giving Shape to Ideas

# Specifications

## bizhub C368/C308 General Specifications

		bizhub C368	bizhub C308
Type		Desktop Full Colour Printer / Copier / Scanner	
Colour Support		Full colour	
Copy Resolution	Scan	Main: 600 dpi x Sub: 600 dpi	
	Print	1,800 dpi (equivalent) x 600 dpi	
Gradation		256	
Memory Capacity (Std./Max.)		2 GB/4 GB	
HDD		250 GB	
Original Type		Sheets, Books, Objects	
Max. Original Size		A3 (11" x 17")	
Output Size		Main unit: SRA3 <sup>*1</sup> , A3 to A5, 12-1/4" x 18" (A3 wide (311.1 mm x 457.2 mm)), 11" x 17" to 8-1/2" x 11", 5-1/2" x 8-1/2", 8" x 13" <sup>2</sup> , 16K, 8K Bypass Tray: SRA3, A3 to A5, B6 <sup>3</sup> , A6 <sup>3</sup> , 12" x 18" (A3 wide (311.1 mm x 457.2 mm)), 11" x 17" to 5-1/2" x 8-1/2", 8" x 13" <sup>4</sup> , 16K, 8K, Postcard (A6 (4" x 6" Card)), Envelope <sup>5</sup> , Label sheet, Tab paper, Banner paper (Width: 210 mm to 297 mm (8-1/4" to 11-1/16")), Length: 457 mm to 1,200 mm (18" to 47-1/4") <sup>6</sup>	
Image Loss		Max. 4.2mm or less for top edge (5 mm for thin paper), Max. 3.0mm or less for bottom edge, Max. 3.0mm or less for right/left edges <sup>*A loss of 4.2 mm each during printing.</sup>	
Warm-Up Time <sup>*7</sup> (23°C, std. voltage)		Colour/B&W: 20 sec. or less	
* The time required to start printing when both the main power and sub-power switches are turned from OFF to ON.			
* The time required to start printing when the main power switch is ON and the sub-power switch is turned from OFF to ON.		Colour/B&W: 20 sec. or less	Colour/B&W: 18 sec. or less
First Copy Out Time <sup>*8</sup>	Colour	6.9 sec. or less	7.3 sec. or less
	B/W	5.3 sec. or less	5.6 sec. or less
Copy Speed (Colour/B&W, A4)		36 ppm	30 ppm
Copy Magnification	Fixed Same Magnification	1: 1±0.5% or less	
	Scaling Up	1: 1.154/1.224/1.414/2.000	
	Scaling Down	1: 0.866/0.816/0.707/0.500	
	Preset	3 types	
	Zoom	25 to 400% (in 0.1% increments)	
Paper Capacity (80 g/m <sup>2</sup> )	Tray 1	500 sheets (up to A3)	
	Tray 2	500 sheets (up to SRA3)	
Multiple Bypass Tray		150 sheets (up to SRA3)	
Max. Paper Capacity (80 g/m <sup>2</sup> ) <sup>*9</sup>		6,650 sheets	
Paper Weight	Tray 1 / 2	52 to 256 g/m <sup>2</sup>	
	Multiple Bypass Tray	60 to 300 g/m <sup>2</sup>	
Multiple Copy		1 to 9,999 sheets	
Auto Duplex	Paper Size	SRA3, A3 to A5, B6 <sup>3</sup> , A6 <sup>3</sup> , 12-1/4" x 18" (A3 wide (311.1 mm x 457.2 mm)), 11" x 17" <sup>3</sup> to 5-1/2" x 8-1/2" <sup>3</sup> , 7-1/4" x 10-1/2", 8" x 13", 16K, 8K, Postcard (A6 (4" x 6" Card))	
	Paper Weight	52 to 256 g/m <sup>2</sup>	
Power Requirements		AC220 to 240 V 8.0 A (50/60 Hz)	
Max. Power Consumption		1.5 kW or less	
Dimensions [W] x [D] x [H]		615 x 685 x 779 mm (24-3/16" x 27-15/16" x 30-11/16")	
Weight		Approx. 85 kg (187-3/8 lb)	
Space Requirements [W] x [D] <sup>*10</sup>		937 x 1,214 mm (36-7/8" x 47-13/16")	

- <sup>\*1</sup> SRA3 paper can be used in Tray2.  
<sup>\*2</sup> There are four types of foolscap: 8-1/2" x 13-1/2"<sup>2</sup>, 8-1/2" x 13"<sup>2</sup>, 8-1/4" x 13"<sup>2</sup>, and 8" x 13"<sup>2</sup>. Any one of these sizes is selectable. For details, contact your service representative.  
<sup>\*3</sup> Short edge feed   
<sup>\*4</sup> There are six types of foolscap: 8-1/2" x 13-1/2"<sup>2</sup>, 220 mm x 330 mm<sup>3</sup>, 8-1/2" x 13"<sup>3</sup>, 8-1/4" x 13"<sup>3</sup>, 8-1/8" x 13-1/4"<sup>3</sup>, and 8" x 13"<sup>3</sup>. Any one of these sizes is selectable. For details, contact your service representative.  
<sup>\*5</sup> Wrinkles or printing errors may occur due to the type, storage or environment that exists when envelope printing is carried out.  
<sup>\*6</sup> Printing on banner paper can only be performed from a PC.  
<sup>\*7</sup> May vary depending on the operating environment and usage.  
<sup>\*8</sup> A4 long edge feed full size/using the first tray/scanning from the original glass surface.  
<sup>\*9</sup> With options installed.  
<sup>\*10</sup> Without options, with paper trays pulled out, and multiple bypass tray, auxiliary tray and ADF opened.

## Printer Specifications

Type	Embedded	
CPU	ARM Cortex-A7 Dual-core 1.2GHz	
Memory	Shared with the copier	
Print Speed	Same as Copy Speed (when using the same original)	
HDD	250 GB (Shared with the copier)	
Print Resolution	1,800 dpi (equivalent) x 600 dpi (at smoothing) or 1,200 dpi x 1,200 dpi (in 1,200 dpi mode)	
PDL	PCL 6, PostScript 3 Emulation, XPS	
Protocol	TCP/IP, IPX/SPX (NDS support), SMB (NetBEUI), LPD, IPP1.1, SNMP, AppleTalk	
Support OS	Windows Vista <sup>*1</sup> / 7 <sup>*1</sup> / 8 <sup>*1</sup> / 8.1 <sup>*1</sup> Windows Server 2008 <sup>*1</sup> / 2008 R2 / 2012 / 2012 R2 Mac OS X (10.6 / 10.7 / 10.8 / 10.9 / 10.10) Linux	
Fonts	PCL	80 Roman fonts
	PS	137 Roman Type1 fonts
Interface	Ethernet (10BASE-T/100BASE-TX/1000BASE-T), USB 1.1, USB 2.0, IEEE 802.11 b/g/n <sup>*2</sup> , Bluetooth LE <sup>*2</sup>	

- <sup>\*1</sup> Supports the 32-bit (x86) or 64-bit (x64) environment.  
<sup>\*2</sup> Optional

## Scanning Specifications

Type	Full-Colour Scanner	
Interface	Ethernet (10BASE-T/100BASE-TX/1000BASE-T), IEEE 802.11 b/g/n <sup>*1</sup>	
Driver	TWAIN Driver, HDD TWAIN Driver	
Protocol	TCP/IP (FTP, SMB, SMTP, WebDAV) (IPv4/IPv6)	
Scanning Speed (Colour/B&W) (300 dpi, A4, Simplex)	80 opm <sup>*2</sup>	
Scanning Size	Max. A3 (11" x 17")	
Output Format	TIFF, JPEG, PDF, Compact PDF, XPS, Compact XPS, OOXML (pptx, xlsx <sup>*1</sup> , docx <sup>*1</sup> ), Searchable PDF <sup>*1</sup> , PDF/A <sup>*1</sup> , Linearised PDF <sup>*1</sup>	
Scanning Resolution	Push	200 dpi / 300 dpi / 400 dpi / 600 dpi
	Pull	100 dpi / 200 dpi / 300 dpi / 400 dpi / 600 dpi
Main Functions	Scan to E-Mail, Scan to FTP Scan to BOX (HDD), Scan to PC (SMB), Network TWAIN, Scan to WebDAV, Scan to USB, Scan to Scan Service, Scan to Web Service (WSD-Scan), Device Profile for Web Services (DPWS)	
Other Functions	Multi-Method Send, Authentication at the time of E-Mail send (SMTP authentication, POP before SMTP), S/MIME, Annotation	

- <sup>\*1</sup> Optional  
<sup>\*2</sup> When using the Automatic Document Feeder.

## Internet Fax

Protocol	TX: SMTP RX: POP3, TCP/IP Simple mode
Connection Mode	Full-Mode
Sending Paper Size	A3, B4, A4
Recording Paper Size	Max. A3
Resolution	B/W: 200 x 100 dpi, 200 x 200 dpi, 400 x 400 dpi, 600 x 600 dpi Colour: 200 x 200 dpi, 400 x 400 dpi, 600 x 600 dpi
Interface	Ethernet (10BASE-T/100BASE-TX/1000BASE-T)
Colour	Support Colour Internet Fax
Format	B/W: TIFF-F Colour: TIFF (Conforms to RFC3949 Profile-C)

## Fax Kit FK-514 (Optional)

Communication	Super G3
Compatible Lines	Public Switch Telephone Network, Private Branch Exchange, Fax Communication Line
Line Density	Ultra Fine: 600 dpi 600 dpi Super Fine: 16 dot/mm 15.4 line/mm, 400 dpi 400 dpi Fine: 8 dot/mm 7.7 line/mm, 200 dpi 200 dpi Normal: 8 dot/mm 3.85 line/mm
Modem Speed	2.4 to 33.6 kbps
Compression	MH/MR/MMR/JBIG
Sending Paper Size	Max. A3 (Long Length Support: Max. 1,000 mm)
Recording Paper Size	Max. A3 (Long Length Max. 1,000 mm — following the page division —)
Transmission Speed	Less than 2 sec. (A4, V.34, 33.6 kbps, JBIG)
Memory	Shared with the copier
Number of Abbr. Dials	2,000
Number of Program Dials	400
Number of Group Dials	100
Sequential Multiple Station Transmission	Max. 600

## IP Address Fax <sup>\*Optional Fax Kit FK-514 is required.</sup>

Protocol Transmission	TCP/IP, SMTP
Sending Paper Size	A3, B4, A4
Resolution	200 x 200 dpi, 400 x 400 dpi, 600 x 600 dpi
Format	B/W: TIFF-F, TIFF-S Colour: TIFF, PDF

## Fiery Image Controller IC-416 (Optional)

<sup>\*Optional Upgrade Kit UK-211 and Video Interface Kit VI-508 is required.</sup>

Type	Embedded
CPU	Intel Pentium G850 2.9GHz
Memory	2 GB
HDD	500 GB
Print Speed	Same as Copy Speed (when using the same original)
Print Resolution	1,800 dpi (equivalent) x 600 dpi (at smoothing) or 1,200 dpi x 1,200 dpi (in 1,200 dpi mode)
PDL	Adobe PostScript 3
Protocol	Ethernet (Apple Talk, TCP/IP), HTTP/HTTPS, SSL/TLS for HTTPS, SNMP v3, SMB, Port9100 (Bi-Directional), IPP, LDAP, IPV6
Support OS	Windows Vista <sup>*1</sup> / 7 <sup>*1</sup> / 8 <sup>*1</sup> / 8.1 <sup>*1</sup> Windows Server 2008 <sup>*1</sup> / 2008 R2 / 2012 Mac OS X (10.6 / 10.7 / 10.8 / 10.9 / 10.10)
Fonts	Adobe PS 138 Roman fonts, Agfa PCL 80 Roman fonts and 1 bitmap font, Additional PCL 35 fonts, Euro Currency Resident Font
Interface	Ethernet (10BASE-T/100BASE-TX/1000BASE-T)

<sup>\*1</sup> Supports the 32-bit (x86) or 64-bit (x64) environment.

## Reverse Automatic Document Feeder DF-629 (Optional)

Type	Circulatory duplex system	
Support Paper Size	Max. A3 (Fax mode: Max. 1,000 mm)	
Mixed Size	Support	
Original Set	Centre guide	
Support Paper Weight	Thin paper: 35 to 49 g/m <sup>2</sup> (Simplex) Plain paper: 50 to 128 g/m <sup>2</sup> (Duplex/Mixed Original)	
Paper Capacity	Max. 100 sheets (80 g/m <sup>2</sup> )	
Productivity (A4)	Simplex	Colour/B&W: 80 opm (300 dpi), 55 opm (600 dpi.)
	Duplex	Colour/B&W: 37 opm (300 dpi), 26 opm (600 dpi)
Power Requirements	Supplied from the MFP main body	
Dimensions [W] x [D] x [H]	611 x 504 x 127 mm (24-1/16" x 19-13/16" x 5")	
Weight	Approx. 9 kg (19-13/16 lb)	



## Dual Scan Document Feeder DF-704 (Optional)

Type	Single pass simultaneous duplex system	
Support Paper Size	Max. A3 (Fax mode: Max. 1,000 mm)	
Mixed Size	Support	
Original Set	Centre guide	
Support Paper Weight	Thin paper: 35 to 49 g/m <sup>2</sup> (Simplex) Plain paper: 50 to 163 g/m <sup>2</sup> (Simplex/Duplex), 50 to 128 g/m <sup>2</sup> (Mixed Original)	
Paper Capacity	Max. 100 sheets (80 g/m <sup>2</sup> )	
Productivity (A4)	Simplex	Colour/B&W: 80 opm (300 dpi), 55 opm (600 dpi.)
	Duplex	Colour/B&W: 160 opm (300 dpi), 110 opm (600 dpi)
Power Requirements	Supplied from the MFP main body	
Dimensions [W] x [D] x [H]	611 x 504 x 142 mm (24-1/16" x 19-13/16" x 5-9/16")	
Weight	Approx. 12 kg (26-7/16 lb)	



# Specifications



## Finisher FS-533 (Optional)

Type	Finisher
Support Paper Type	Thin paper/Plain paper (52 to 90 g/m <sup>2</sup> ), Thick paper (91 to 300 g/m <sup>2</sup> ), Transparency, Envelope, Label sheet, Letterhead paper, Banner paper, Tab paper
Support Paper Size	SRA3, A3 to A5, B6 <sup>1</sup> , A6 <sup>1</sup> , 12-1/4" x 18" (A3 wide (311.1 mm x 457.2 mm)), 11" x 17" to 5-1/2" x 8-1/2", 16K, 8K, Postcard (A6 (4" x 6" Card)), Banner paper
Mode	Sort, Group, Offset Sort, Offset Group, Staple
Stacking Capacity	500 sheets (52 to 90 g/m <sup>2</sup> , A4 <sup>1</sup> or smaller) 250 sheets (52 to 90 g/m <sup>2</sup> , B4 or larger) 10 sheets (91 to 300 g/m <sup>2</sup> , special paper)
Staple Capacity	50 sheets (52 to 90 g/m <sup>2</sup> , A4 <sup>1</sup> or smaller) 30 sheets (52 to 90 g/m <sup>2</sup> , B4 or larger) 2 sheets (91 to 209 g/m <sup>2</sup> , as cover pages)
Power Requirements	Supplied from the MFP main body
Max. Power Consumption	40 W or less
Dimensions [W] x [D] x [H]	472.5 x 583.5 x 194.7 mm (18-1/2" x 23" x 7-3/4")
Weight	Approx. 12 kg (26-1/2 lb)

\*1 Short edge feed



## Punch Kit PK-519 (Optional)

Applicable	Finisher FS-533
Number of holes	2 holes or 4 holes
Support Paper Type (Weight)	Thin paper/Plain paper (52 to 90 g/m <sup>2</sup> ), Thick paper (91 to 157 g/m <sup>2</sup> )
Support Paper Size	A3 to B5, 11" x 17" to 7-1/4" x 10-1/2"
Power Requirements	Supplied from Finisher FS-533
Dimensions [W] x [D] x [H]	110.2 x 483.5 x 203.2 mm (4-1/2" x 19" x 8")
Weight	Approx. 3.2 kg (7 lb)



## Job Separator JS-506 (Optional)

Support Paper Type (Weight)	Tray 1 Tray 2	Thin paper/Plain paper (52 to 90 g/m <sup>2</sup> ), Thick paper (91 to 300 g/m <sup>2</sup> ), Transparency, Envelope, Label sheet Thin paper/Plain paper (52 to 90 g/m <sup>2</sup> ), Thick paper (91 to 300 g/m <sup>2</sup> ), Transparency, Envelope, Label sheet, Banner paper
Support Paper Size		SRA3, A3 to A5, B6 <sup>1</sup> , A6 <sup>1</sup> , 12-1/4" x 18" (A3 wide (311.1 mm x 457.2 mm)), 11" x 17" to 5-1/2" x 8-1/2", 16K, 8K, Postcard (A6 (4" x 6" Card)), Banner paper
Stacking Capacity	Tray 1 Tray 2	100 sheets (52 to 90 g/m <sup>2</sup> ) 150 sheets (52 to 90 g/m <sup>2</sup> )
Power Requirements		Supplied from MFP main body
Max. Power Consumption		24 W or less
Dimensions [W] x [D] x [H]		451 x 469 x 227 mm (17-3/4" x 18-1/2" x 9")
Weight		Approx. 1.5 kg (3-1/4 lb)

\*1 Short edge feed



## Finisher FS-534 (Optional)

Type	Finisher	
Support Paper Type	Thin paper/Plain paper (52 to 90 g/m <sup>2</sup> ), Thick paper (91 to 300 g/m <sup>2</sup> ), Transparency, Envelope, Label sheet, Letterhead paper, Banner paper, Tab paper	
Support Paper Size	SRA3, A3 to A5, B6 <sup>1</sup> , A6 <sup>1</sup> , 12-1/4" x 18" (A3 wide (311.1 mm x 457.2 mm)), 11" x 17" to 5-1/2" x 8-1/2", 16K, 8K, Postcard (A6 (4" x 6" Card)), Banner paper	
Mode	Sort, Group, Offset Sort, Offset Group, Staple	
Stacking Capacity	Output tray 1 (Sub tray) Output tray 2 (Main tray) Output tray 3 (Relay Unit top surface)	200 sheets (52 to 90 g/m <sup>2</sup> ) 20 sheets (91 to 300 g/m <sup>2</sup> , special paper) 3,000 sheets (52 to 90 g/m <sup>2</sup> , A4 <sup>1</sup> or smaller, B5 or larger) *2,000 sheets when SD-511 is installed 1,500 sheets (52 to 90 g/m <sup>2</sup> , B4 or larger) 500 sheets (52 to 90 g/m <sup>2</sup> , A5 or smaller) 20 sheets (91 to 300 g/m <sup>2</sup> , special paper) 100 sheets (52 to 90 g/m <sup>2</sup> ) 20 sheets (91 to 300 g/m <sup>2</sup> , special paper)
Staple Capacity		50 sheets (Plain Paper 52 to 90 g/m <sup>2</sup> ) 48 sheets (Plain paper 52 to 90 g/m <sup>2</sup> ) + 2 sheets (Thick paper 91 to 209 g/m <sup>2</sup> ) 30 sheets (Thick paper 91 to 120 g/m <sup>2</sup> ) 15 sheets (Thick paper 121 to 209 g/m <sup>2</sup> )
Power Requirements		Supplied from the MFP main body
Max. Power Consumption		56 W or less
Dimensions [W] x [D] x [H]		528 x 641 x 1,023 mm (20-3/4" x 25-1/4" x 40-1/4")
Weight		Approx. 40 kg (88-1/4 lb)

\*1 Short edge feed



## Saddle Stitcher SD-511 (Optional)

Applicable	Finisher FS-534
Support Paper Type	Centre Staple: 52 to 90 g/m <sup>2</sup> Half-Fold: 52 to 209 g/m <sup>2</sup> (more than 91 g/m <sup>2</sup> Thick paper can be used only as a cover page) Tri-Fold: 52 to 90 g/m <sup>2</sup>
Support Paper Size	Centre Staple, Half-Fold: A3, B4, A4 <sup>1</sup> , 12-1/4" x 18" (A3 wide (311.1 mm x 457.2 mm)), 12" x 18", 11" x 17", 8-1/2" x 14", 8-1/2" x 11" <sup>1</sup> , 8K Tri-Fold: A4 <sup>1</sup> , 8-1/2" x 11" <sup>1</sup> , 16K <sup>1</sup>
Maximum Number of Sheets that can be Centrestapled	20 (52 to 90 g/m <sup>2</sup> ) sheets, or 19 (90 g/m <sup>2</sup> ) sheets + Thick (209 g/m <sup>2</sup> ) 1 sheet
Maximum Number of Folded Sheets	Half-Fold: 5 sheets or Thick (91 to 209 g/m <sup>2</sup> ) 1 sheet, Tri-Fold: 3 sheets
Stacking Capacity	1 to 3 sheets: 20 sets, 4 to 10 sheets: 10 sets 11 to 20 sheets: 5 sets Tri-Fold (1 sheet): 30 sets, Tri-Fold (2-3 sheets): 10 sets
Power Requirements	Supplied from Finisher FS-534
Dimensions [W] x [D] x [H]	210 x 556 x 547 mm (8-1/2" x 21-3/4" x 21-1/2")
Weight	Approx. 24 kg (53 lb)

\*1 Short edge feed



## Punch Kit PK-520 (Optional)

Applicable	Finisher FS-534
Number of holes	2 holes or 4 holes
Support Paper Type (Weight)	Thin paper/Plain paper (52 to 90 g/m <sup>2</sup> ), Thick paper (91 to 300 g/m <sup>2</sup> )
Support Paper Size	A3 to B5, 11" x 17" to 7-1/4" x 10-1/2", 16K, 8K
Power Requirements	Supplied from Finisher FS-534
Dimensions [W] x [D] x [H]	61 x 492 x 142 mm (2-1/2" x 19-1/2" x 5-1/2")
Weight	Approx. 1.8 kg (4 lb)



## Paper Feed Cabinet PC-110 (Optional)

Support Paper Type (Weight)	Thin paper/Plain paper (52 to 90 g/m <sup>2</sup> ) Thick paper (91 to 256 g/m <sup>2</sup> )
Support Paper Size	A3 to A5 <sup>1</sup> , 11" x 17" to 5-1/2" x 8-1/2", 8" x 13", 16K, 8K
Paper Capacity   Top tray (Tray 3)	Plain paper: 500 sheets, Thick paper: 150 sheets
Power Requirements	Supplied from the MFP main body
Dimensions [W] x [D] x [H]	615 x 652 x 246 mm (24-1/4" x 25-3/4" x 9-3/4")
Unit Configuration	Paper tray, 1 level
Weight	Approx. 22 kg (48-1/2 lb)

\*1 Short edge feed



## Paper Feed Cabinet PC-210 (Optional)

Support Paper Type (Weight)	Thin paper/Plain paper (52 to 90 g/m <sup>2</sup> ) Thick paper (91 to 256 g/m <sup>2</sup> )
Support Paper Size	A3 to A5 <sup>1</sup> , 11" x 17" to 5-1/2" x 8-1/2", 8" x 13", 16K, 8K
Paper Capacity   Top tray (Tray 3)	Plain paper: 500 sheets, Thick paper: 150 sheets
Bottom tray (Tray 4)	Plain paper: 500 sheets, Thick paper: 150 sheets
Power Requirements	Supplied from the MFP main body
Dimensions [W] x [D] x [H]	615 x 652 x 246 mm (24-1/4" x 25-3/4" x 9-3/4")
Unit Configuration	Paper tray, 2 levels
Weight	Approx. 24 kg (53 lb)

\*1 Short edge feed



## Paper Feed Cabinet PC-410 (Optional)

Support Paper Type (Weight)	Thin paper/Plain paper (52 to 90 g/m <sup>2</sup> ) Thick paper (91 to 256 g/m <sup>2</sup> )
Support Paper Size	A4 <sup>1</sup> , 8-1/2" x 11" <sup>1</sup>
Paper Capacity	Thin paper, Plain paper: 2,500 sheets, Thick paper: 1,000 sheets
Power Requirements	Supplied from the MFP main body
Dimensions [W] x [D] x [H]	615 x 652 x 246 mm (24-1/4" x 25-3/4" x 9-3/4")
Unit Configuration	Paper tray, 2 levels
Weight	Approx. 23 kg (50-3/4 lb)

\*1 Long edge feed



## Large Capacity Unit LU-302 (Optional)

Support Paper Type (Weight)	Thin paper/Plain paper (52 to 90 g/m <sup>2</sup> ) Thick paper (91 to 256 g/m <sup>2</sup> )
Support Paper Size	A4 <sup>1</sup> , 8-1/2" x 11" <sup>1</sup>
Paper Capacity	Thin paper, Plain paper: 3,000 sheets, Thick paper: 1,300 sheets
Power Requirements	Supplied from the MFP main body
Dimensions [W] x [D] x [H]	367 x 528 x 405 mm (14-1/2" x 20-3/4" x 16")
Weight	Approx. 18 kg (39-3/4 lb)

\*1 Long edge feed

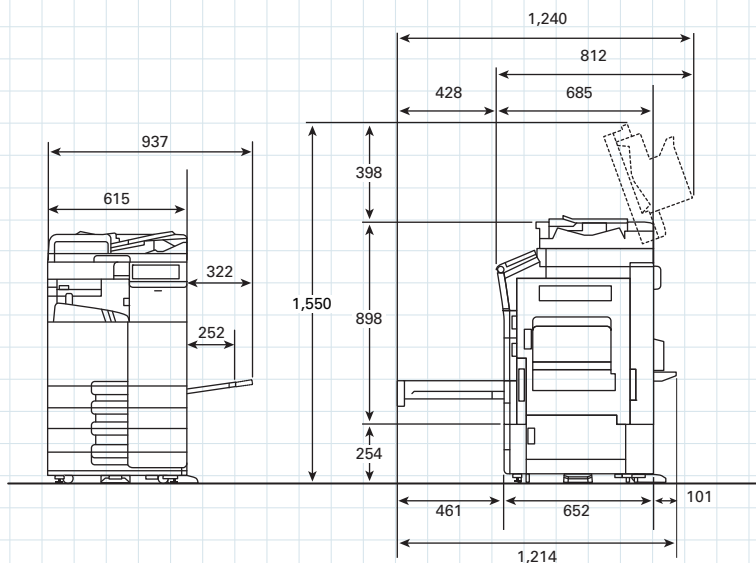
## Authentication Unit (IC Card type) AU-201S (Optional)

Applicable Card	FeliCa (IDm), SSFC, FCF FCF (campus), FeliCa Private, TypeA MIFARE (UID), NFC (Host Card Emulation)
Interface	USB 2.0
Power Supply	Power received from USB port
Dimensions [W] x [D] x [H]	98 x 64 x 13 mm (3-7/8" x 2-1/2" x 1/2") (not including projections)
Weight	Approx. 100 g (1/4 lb)

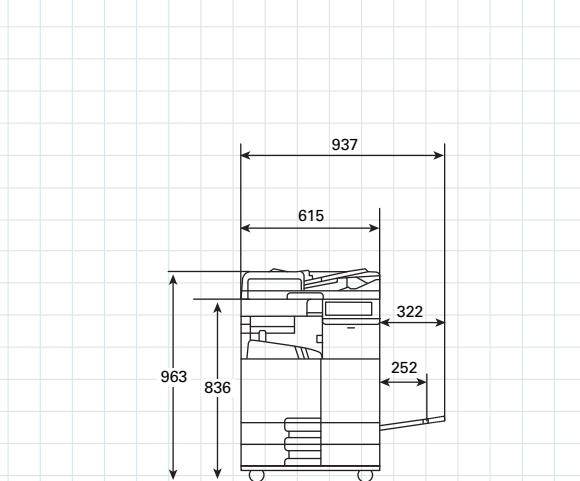
## Authentication Unit (Biometric type) AU-102 (Optional)

Biometric Sensor System	Transmission-type optical system
Interface	USB 2.0
Verification Time	Approx. 1 sec. or less
Max. Power Consumption	DC 5 V 500 mA
Dimensions [W] x [D] x [H]	59 x 82 x 74 mm (2-1/4" x 3-1/4" x 3")
Weight	Approx. 96 g (1/4 lb) (excluding USB cable)

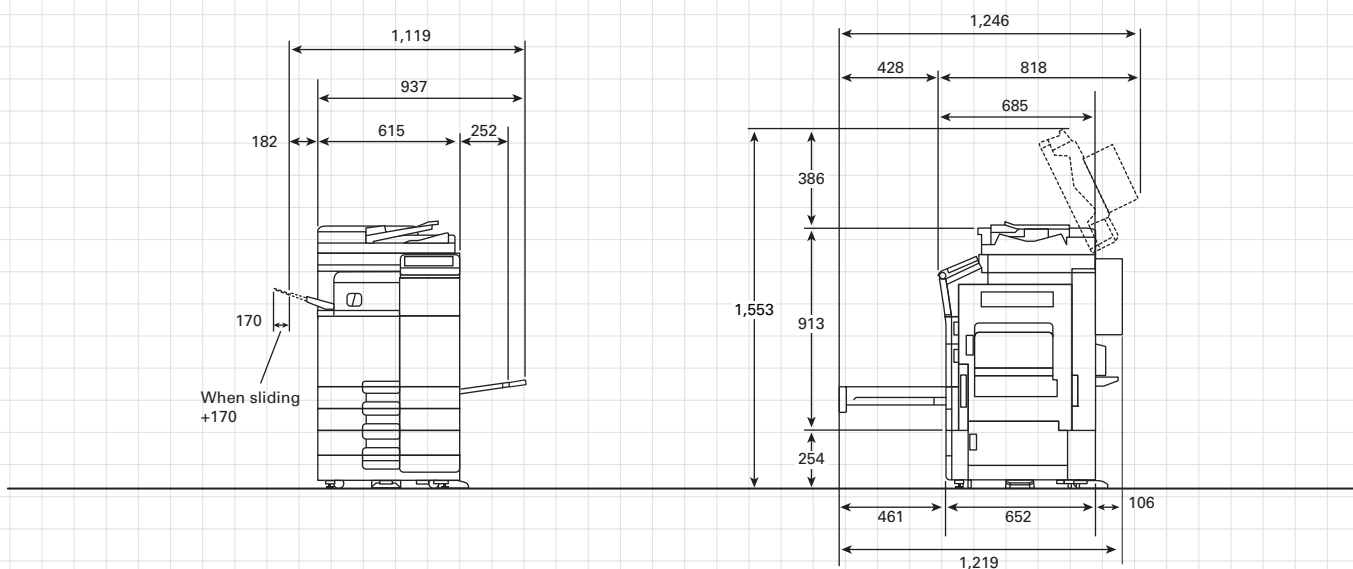
■ bizhub C368/C308 + DF-629 + PC-210 (PC-110/PC-410/DK-510)



■ bizhub C368/C308 + DK-705 + DF-629



■ bizhub C368/C308 + DF-704 + PC-210 (PC-110/PC-410/DK-510) + FS-533



■ bizhub C368/C308 + DF-629 + PC-210 (PC-110/PC-410/DK-510) + MK-730 + FS-534 + SD-511

